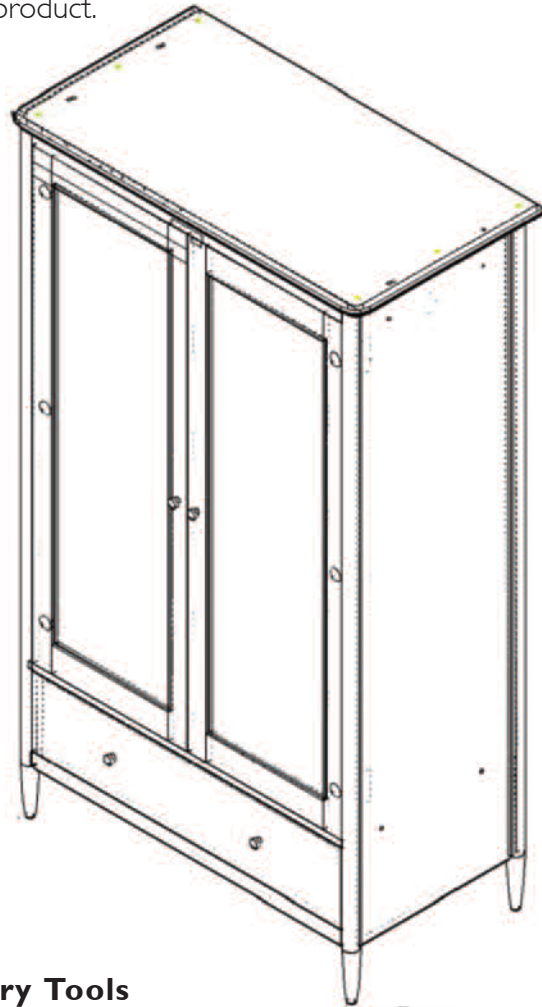


ercol

teramo 2686 2 door wardrobe

Thank you for purchasing this teramo 2 door wardrobe. Please read the instructions carefully before use to ensure safe and satisfactory operation of this product.



This item is **HEAVY**



Necessary Tools



Pre-assembly preparation

Please ensure instructions are read in full before attempting to assemble this product

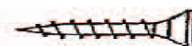


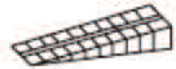

Please check the pack contents before attempting to assemble this product. A full checklist of components is given in this leaflet. If any components are missing, please contact the retailer from whom you bought this product.

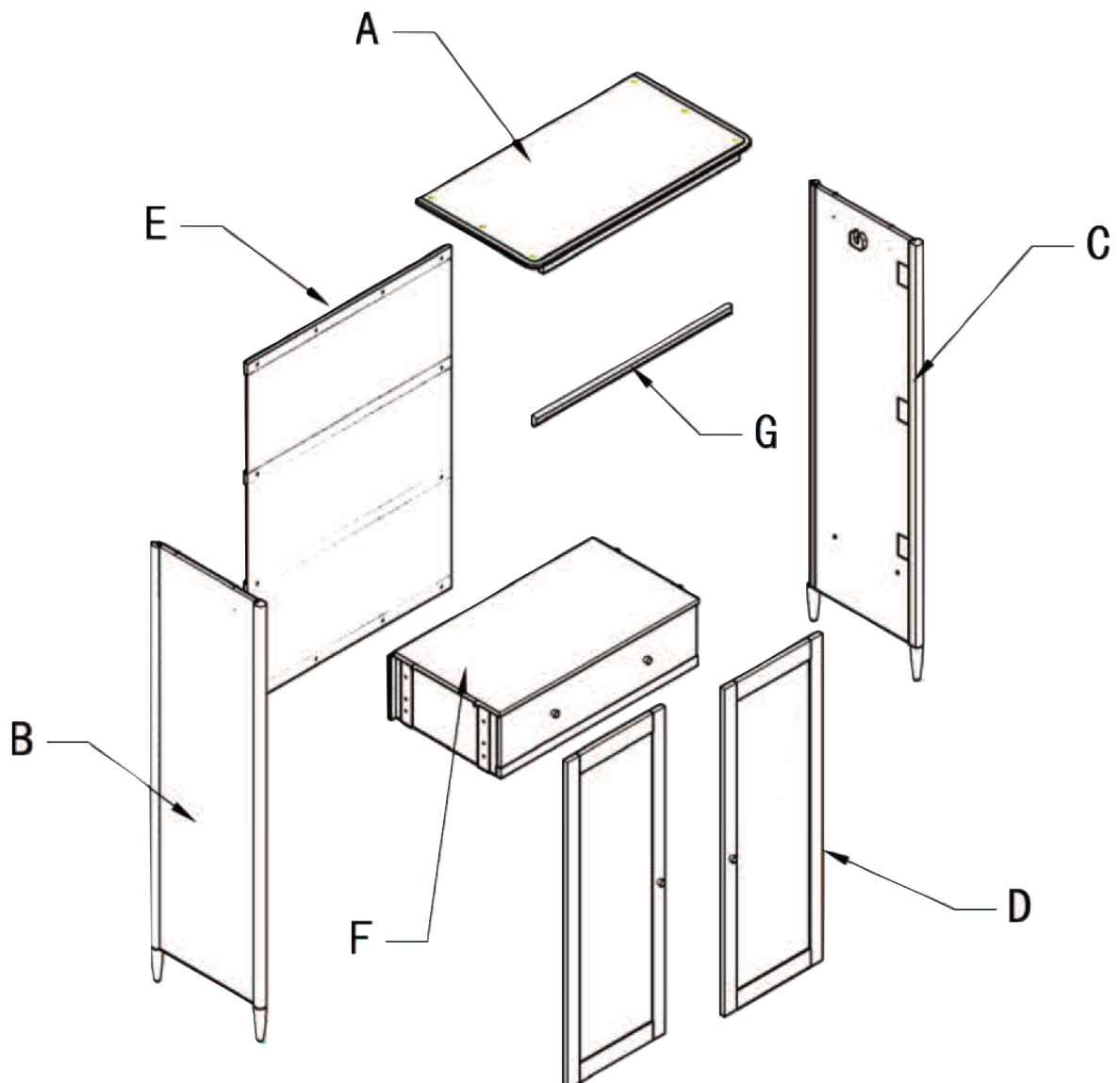
This product is **HEAVY**, it should be assembled as near as possible to the point of use. **TAKE CARE WHEN LIFTING** to avoid personal injury and (or) damage to the product.

This product takes approximately **30 MINUTES** to assemble with **2 PEOPLE**.

The fittings pack contains **SMALL ITEMS** which should be **KEPT AWAY FROM YOUNG CHILDREN**.

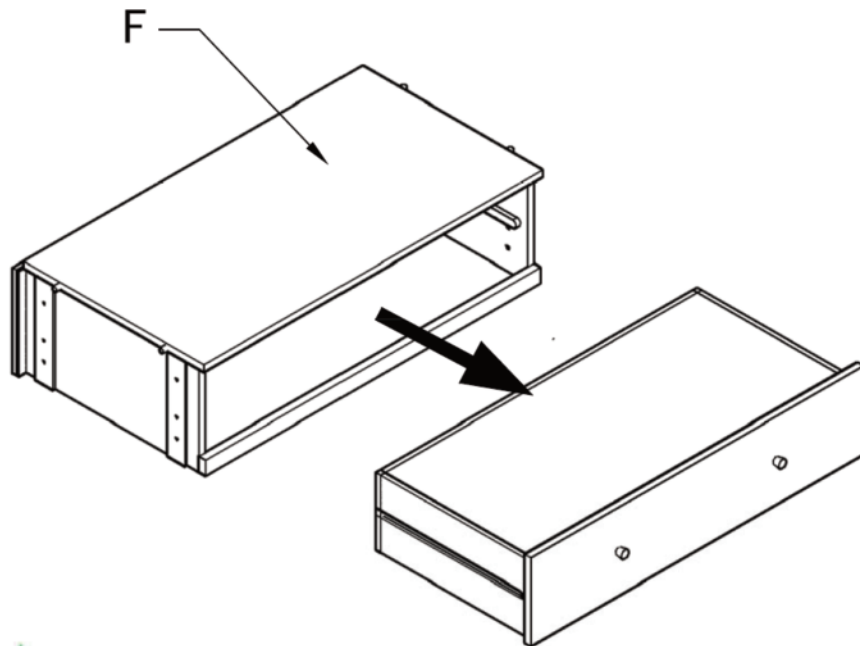
Fittings and parts checklist

A	Top panel x 1	H	25mm Screws x 16	
B	LH side panel x 1	I	30mm Screws x 4	
C	RH side panel x 1	J	Brackets x 2	
D	Left & Right doors x 2	K	Strap x 1	
E	Back panel x 1	L	Screws x 1	
F	Drawer box unit x 1	M	Wedge x 2	
G	Hanging rail x 1	N&O	M6*35 Bolt x 14 Allen key x 1	



Step by step assembly instructions

1. Take the drawer out of the drawer box unit as shown below.

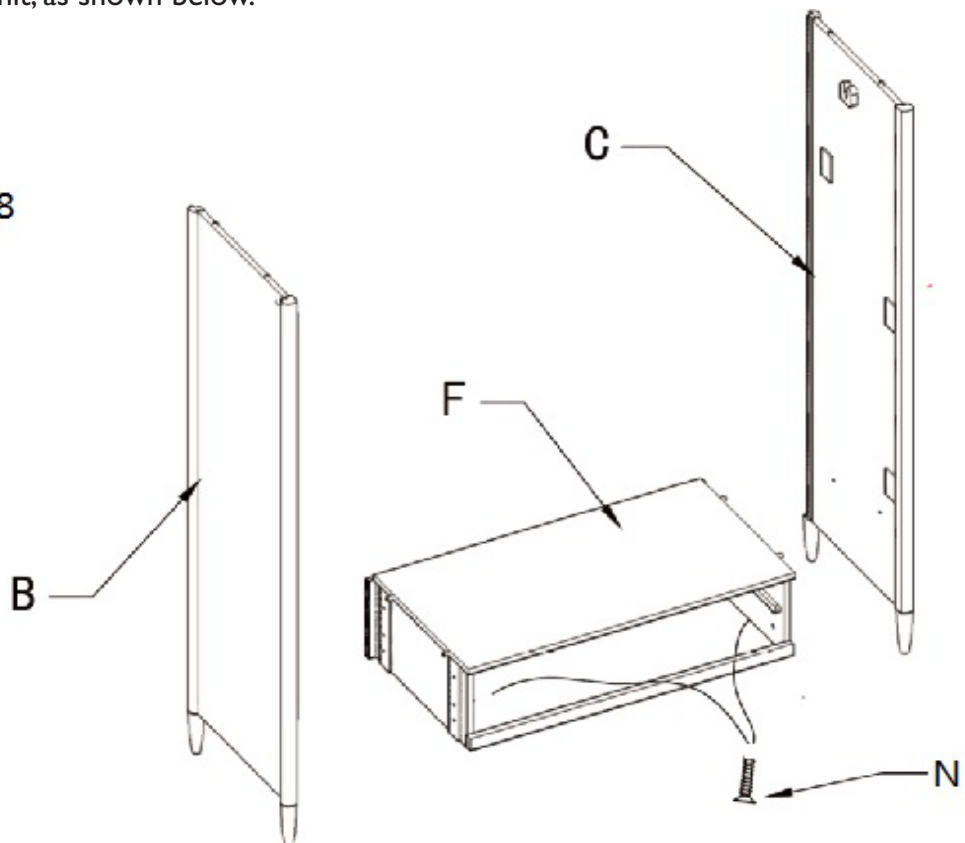


2. Attach the side panels B & C to the drawer box unit, making sure the 4 dowels locate squarely into the side panels. Using M6*35 bolt 8pcs, attach the side panels B & C through the inside holes of the drawer box unit, as shown below.

Fittings

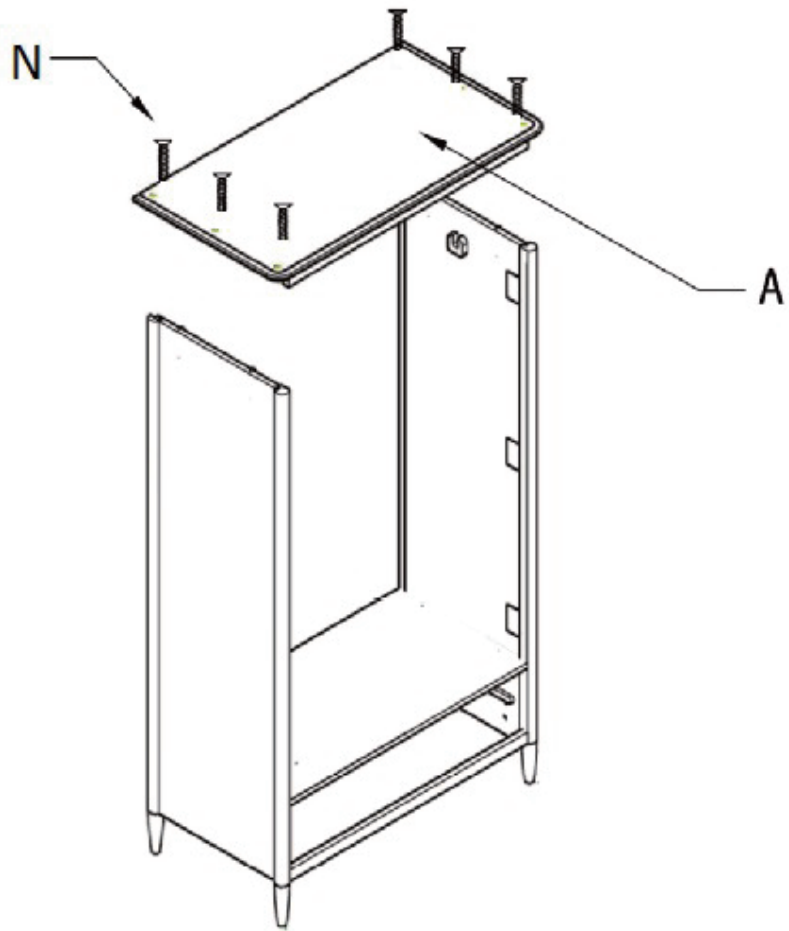
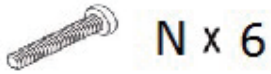


N X 8



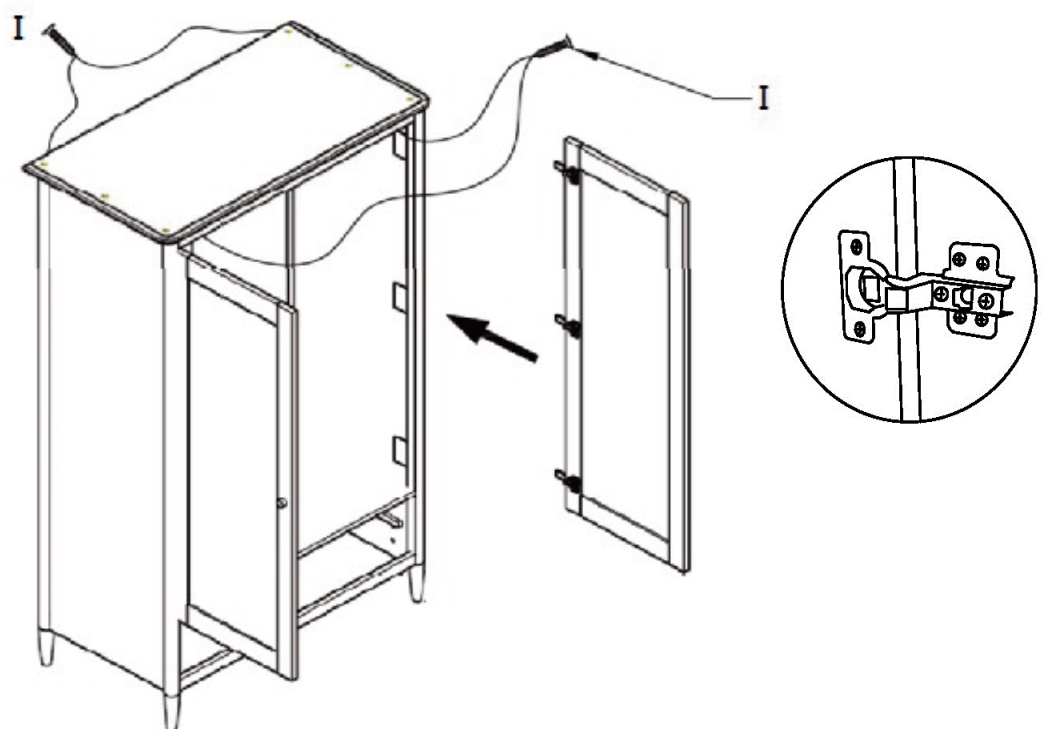
3. Locate the top panel A into the dowels on the tops of the side panels B & C and secure using the 6pcs M6*35 bolt.

Fittings

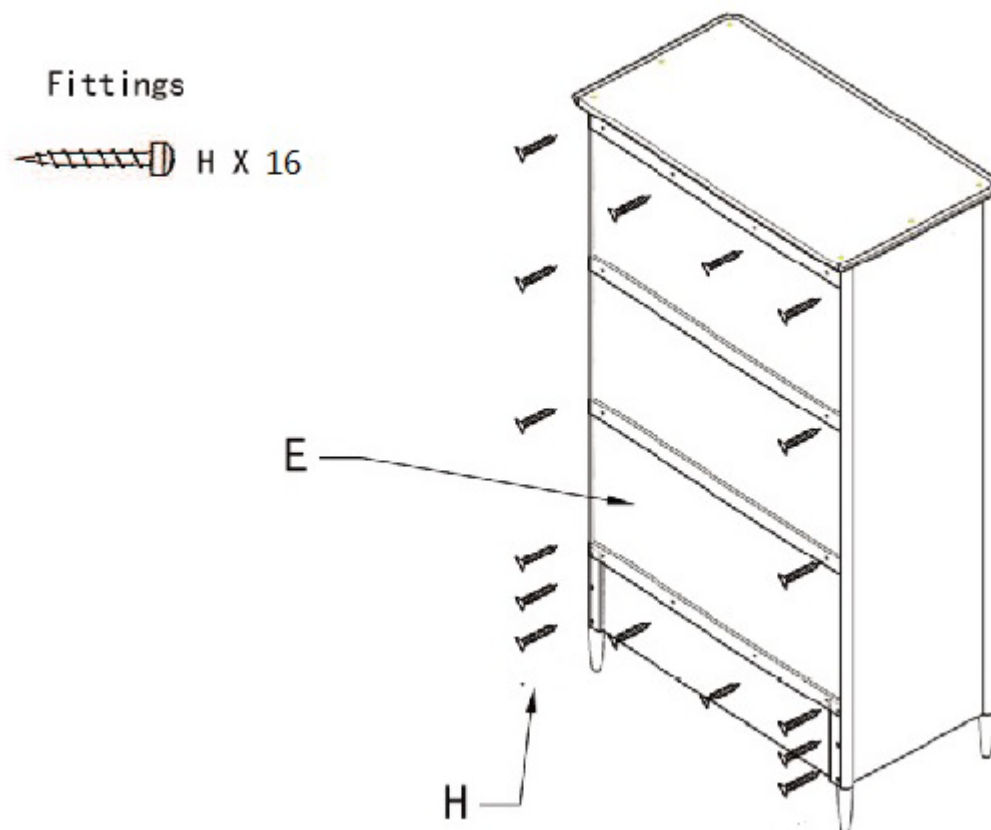


4. To increase the overall strength, Using 4 of the 30mm screws (I) attach the side panel rails front and back to the top of the wardrobe through the pre drilled holes provided, see below. Attach the door panels onto the side panels as shown below.

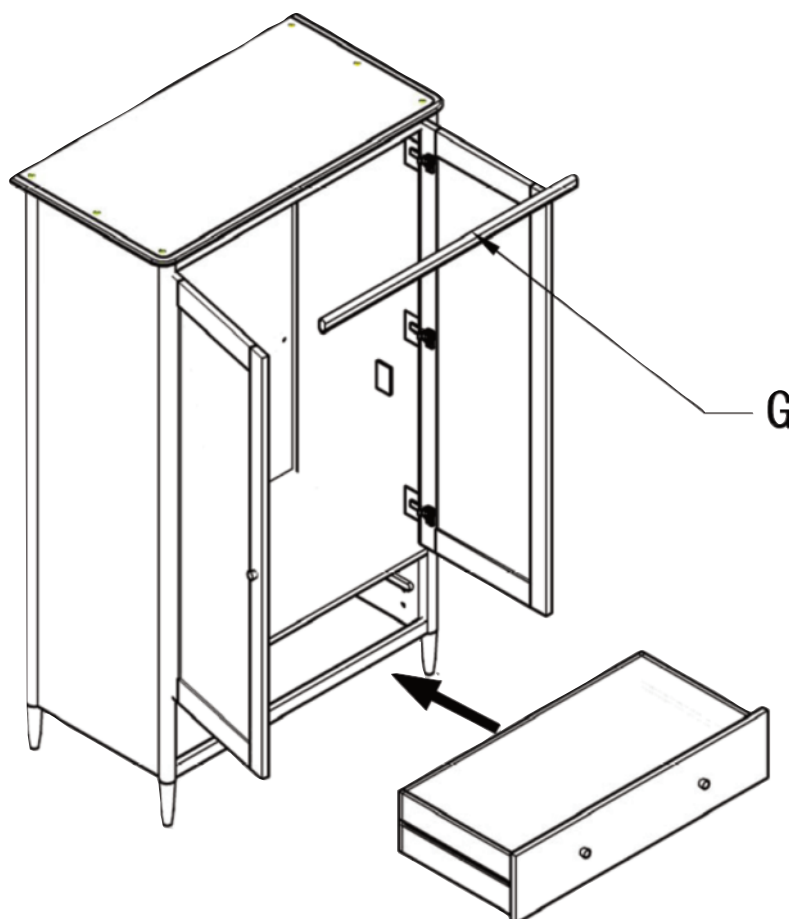
Fittings



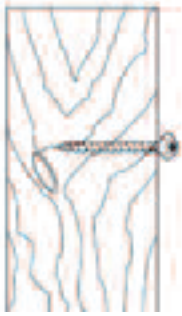
5. Using the 25mm screws H (16), fix the back panel to the rear of the wardrobe as shown.



6. Put the hanging rail, G into the hanging rail supports inside the wardrobe, and put the drawer into the the drawer box.



Wall fixing - if in doubt seek professional advice



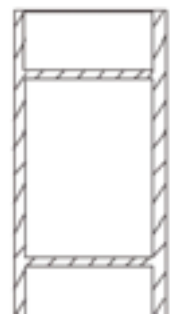
Wood

If fixing to wood make sure that it isn't chipboard as screws can easily pull away from the core structure



Brick or Masonry

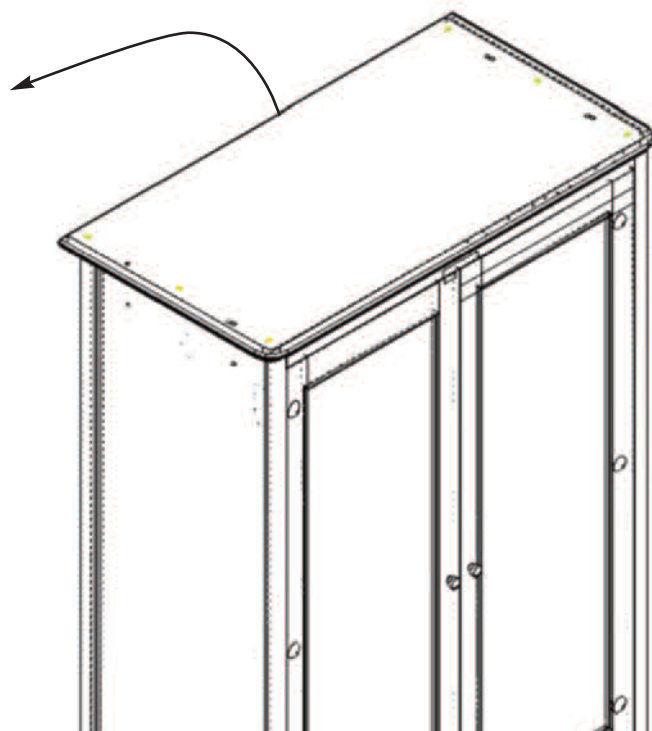
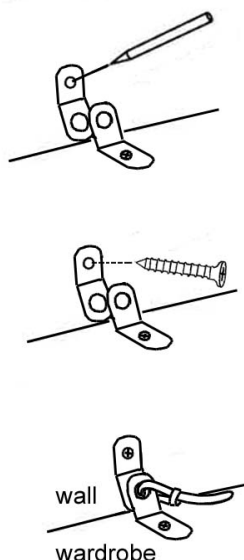
Use an appropriate wall plug provided you are sure your wall is sound



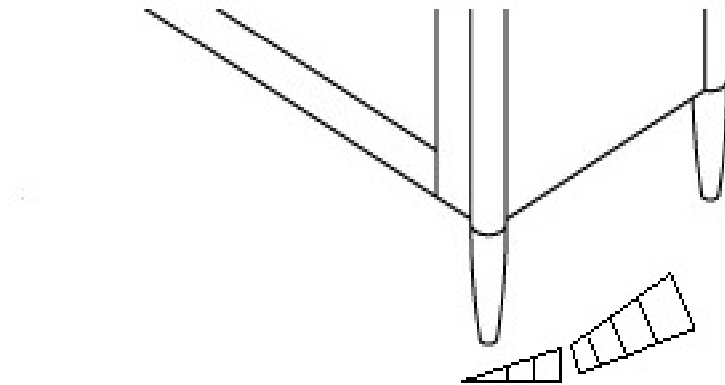
Cavity wall

Special toggle wall plugs are needed. Seek expert advice

7. Screw one of the brackets onto the top of the wardrobe in the middle of the back, see below. Position the wardrobe against the wall where you want it to go, place the second bracket onto the wall above the one fixed to the wardrobe and mark where the hole come on the wall. Move the wardrobe away from the wall.
8. Attach the wall bracket **using screws suitable for your type of wall**, see **Wall fixings** above.
9. Place the wardrobe back against the wall so the two brackets match up and tie them together with the plastic strap provided. The plates need not match exactly, but the plastic tie must go through each plate. Close the strap, but do not over tighten it. See diagrams below.

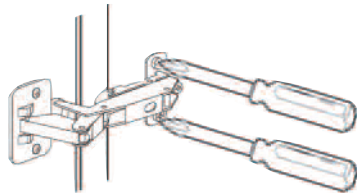


10. If the wardrobe is not level on your floor, use the wedges provided. Snap them off so they do not protrude out from the wardrobes legs. You can also snap them lengthways.

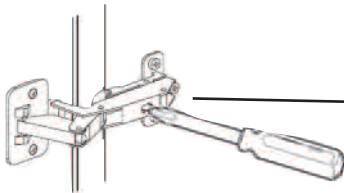


11. Check that the doors are aligned correctly. If necessary adjust the door hinges as shown below

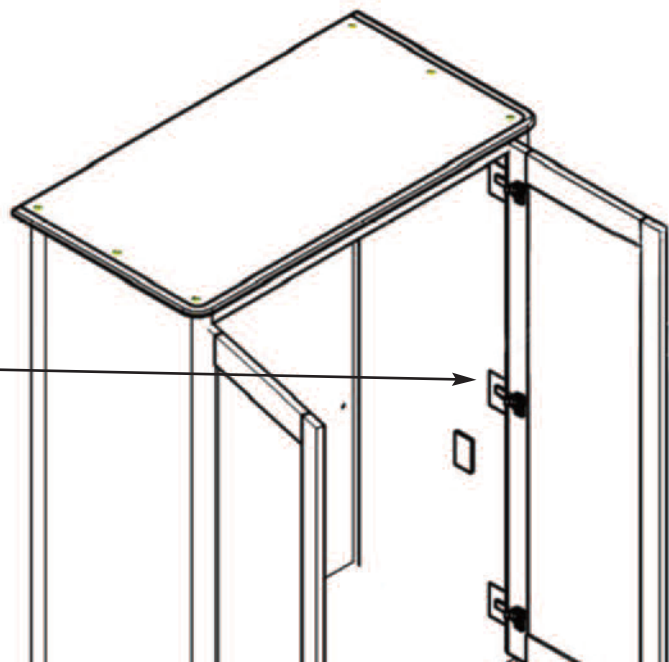
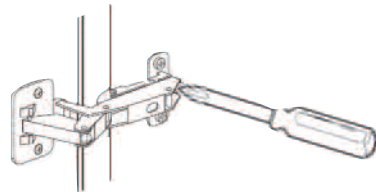
Vertically



Horizontally



Sideways



Care and maintenance

Wood Furniture

Wood displays different grain patterns depending on which way it is cut - for example, the 'medullary ray' which can appear on oak furniture is a mark of good quality timber - these are just characteristics of the natural beauty of the wood. Some furniture is also deliberately aged and rustic.

All timber surfaces will change colour and mellow over time. New furniture will initially vary in shade from items that have been previously purchased.

How to care for your wood furniture

Furniture with a hard lacquer, wax polish or painted surface should be dusted with a dry cloth.

When using the surface for serving food and drinks it is best to use protective mats and coasters.

Spillages should be wiped up as soon as possible.

Spray polishes are best avoided as they contain silicones which may spoil the furniture's surface by building up over time. **Use of cleaning materials containing abrasive compounds, acidic or caustic reagents and any bleaches containing oxidising reagents should be avoided as prolonged use may damage the lacquer surface.**

Wipe up spills immediately. If sticky marks occur on the surface they can be removed with a dilute solution of warm soapy water. **The offending area should be rubbed lightly and then completely dried immediately afterwards, before replacing any mats etc.**

Our furniture will endure most temperatures in the home but it is best to avoid placing furniture next to heat sources such as radiators or fires. Be particularly careful with solid wood as the lack of humidity caused by central heating can cause damage such as warping.

Safety Instructions

Never drag furniture when moving it, always lift it. Please take care when handling or moving the furniture as careless handling may cause damage or injury. No liability will be accepted for damage or injury caused by incorrectly installed furniture.

PLEASE KEEP THESE INSTRUCTIONS FOR FUTURE REFERENCE

Ercol Furniture Ltd, Summerleys Road, Princes Risborough, Buckinghamshire. HP27 9PX www.ercol.com